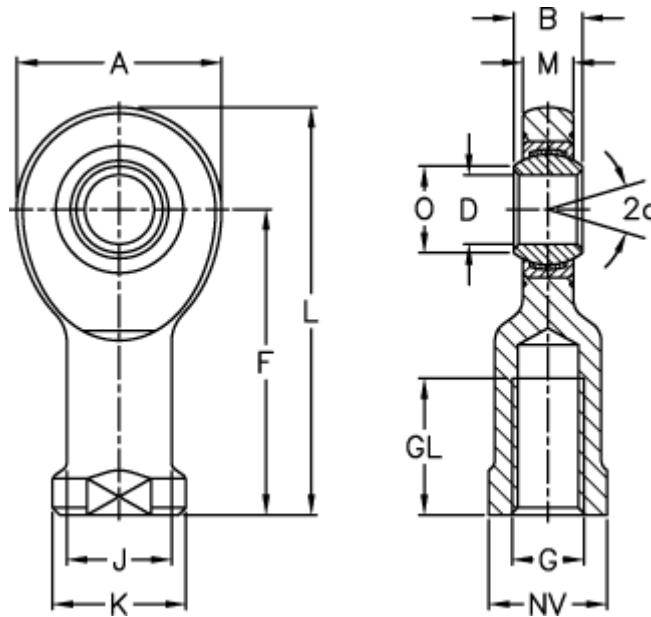


Article number: 03464006
 Description: Fluro Rod end EI 6D
 Note: 6

Measures



A	= 20	J	= 10
a (degrees)	= 13	K	= 13
B	= 6	L	= 40
D	= 6	M	= 4.4
Dynamic drive (kN)	= 3.6	NV	= 11
F	= 30	O	= 8
g	= M6	Static drive kN	= 10.3
GL	= 12	Weight	= 21